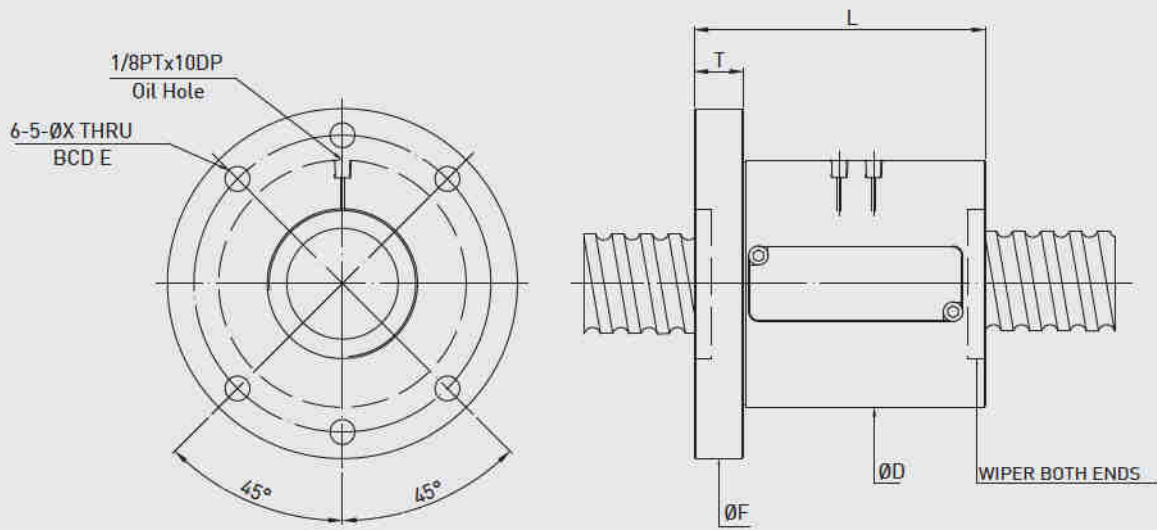


## External type Heavy Load Ballscrew (FSS)



Model No.	Shaft diameter	Lead	Ball Dia.	Turns Circuits	Dynamic C		Static Co		D	L	F	T	E	X	Pmax kN
					kgf	KN	kgf	KN							
2R50-40X2	50	40	12.7	2.8×2	25410	249.0	72310	708.6	115	189	165	32	140	14	61.8
R63-32X1	63	32	15.875	2.8×1	21350	209.2	57470	563.2	140	173	190	32	165	14	49.9
R63-32Y1	63	32	15.875	3.8×1	27770	272.1	78000	764.4	140	206	190	32	165	14	67.5
R63-32Z1	63	32	15.875	4.8×1	33950	332.7	98520	965.5	140	238	190	32	165	14	85.0
2R63-40X2	63	40	12.7	2.8×2	28670	281.0	91350	895.2	130	189	190	32	160	18	84.4
2R63-40Y2	63	40	12.7	3.8×2	37290	365.4	123970	1214.9	130	229	190	32	160	18	115.0
2R63-50Y2	63	50	12.7	3.8×2	36810	360.7	122740	1202.9	130	275	190	36	160	18	113.9
2R70-40X2	70	40	12.7	2.8×2	30590	299.8	103750	1016.8	142	191	210	32	175	18	96.9
2R80-50X2	80	50	15.875	2.8×2	42770	419.1	142960	1401.0	175	233	250	40	210	22	134.0
2R80-50Y2	80	50	15.875	3.8×2	55620	545.1	194010	1901.3	175	283	250	40	210	22	183.6