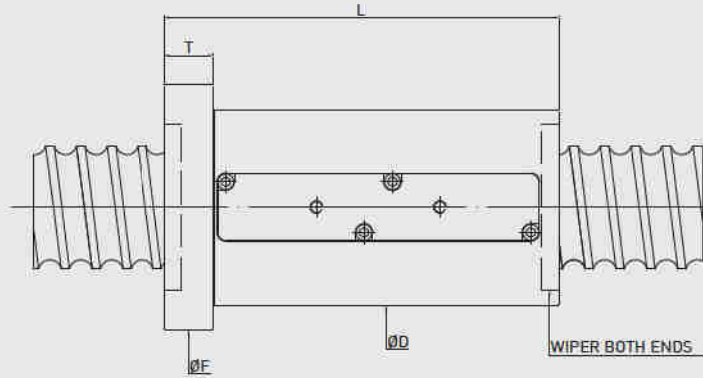
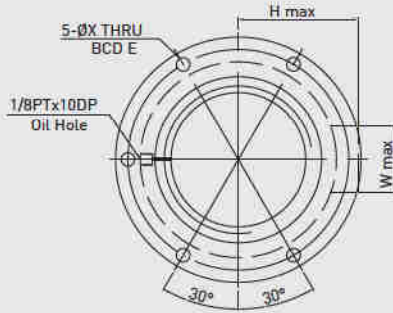
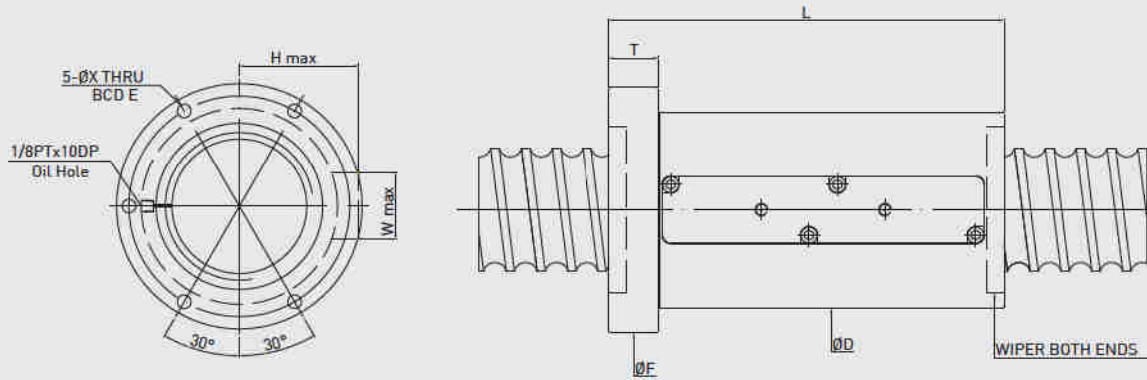


External type Heavy Load Ballscrew (FSP)



Model No.	Shaft diameter	Lead	Ball Dia.	Turns Circuits	Dynamic C		Static Co		D	L	F	T	E	X	H	W	Pmax kN
					kgf	kN	kgf	kN									
R32-10X2	32	10	7.144	2.8×2	9630	94.4	25460	25460	58	116	92	18	75	9	40.5	26	23.6
R36-10X2	36	10	7.144	2.8×2	10350	101.4	29350	29350	62	116	96	18	79	9	42	26	27.5
R36-10Z1	36	10	7.144	4.8×1	9070	88.9	25160	25160	62	96	96	18	79	9	42	26	23.6
R36-12X2	36	12	7.144	2.8×2	10330	101.2	29310	29310	66	129	100	18	80	9	45	27	27.5
R40-10Y2	40	10	7.144	3.8×2	14310	140.2	45130	45130	66	135	100	18	82	9	45	27	42.8
R40-10Z1	40	10	7.144	4.8×1	9640	94.5	28500	28500	66	95	100	18	82	9	45	27	26.8
R50-10X1	50	10	7.144	2.8×1	6630	65.0	20560	20560	75	76	109	18	92	9	49	26	20.5
R50-12Y2	50	12	7.938	3.8×2	18140	177.8	62300	62300	77	161	111	22	94	9	49.5	29	60.8
R50-12Z2	50	12	7.938	4.8×2	22170	217.3	78700	78700	77	185	111	22	94	9	49.5	27	76.9
R50-14Y2	50	14	9.525	3.8×2	23360	228.9	75440	75440	80	189	114	28	97	9	54	32	69.9
R50-16X3	50	16	12.7	2.8×3	37130	363.9	111030	111030	95	243	129	28	112	9	59.5	36	95.3
R50-16Y2	50	16	12.7	3.8×2	34060	333.8	100460	100460	95	209	129	28	112	9	61	36	85.8
R50-16Y3	50	16	12.7	3.8×3	48280	473.1	150690	150690	95	291	129	28	112	9	61	36	129.1
R50-16Z1	50	16	12.7	4.8×1	22940	224.8	63450	63450	95	145	129	28	112	9	61	33	53.7
R63-10Y2	63	10	7.144	3.8×2	17420	170.7	71750	71750	90	139	125	18	109	9	55	27	73.1
R63-14Z2	63	14	9.525	4.8×2	31490	308.6	119310	119310	94	217	128	28	111	9	60.5	32	117.7
R63-16X2	63	16	12.7	2.8×2	29250	286.7	92760	92760	105	179	139	28	122	9	67	37	85.7
R63-16Y2	63	16	12.7	3.8×2	38040	372.8	125880	125880	105	209	139	28	122	9	65.5	37	116.8
R63-16Y3	63	16	12.7	3.8×3	53910	528.3	188830	188830	105	289	139	28	122	9	65.5	37	175.2
R63-16Z2	63	16	12.7	4.8×2	46500	455.7	159010	159010	105	243	139	28	122	9	67	36	146.9
R63-20X2	63	20	15.875	2.8×2	39120	383.4	115750	115750	117	217	157	32	137	11	72.5	41	100.5
R63-20Y2	63	20	15.875	3.8×2	50870	498.5	157090	157090	117	257	157	32	137	11	72.5	41	135.9
R63-20Z2	63	20	15.875	4.8×2	62180	609.4	198430	198430	117	299	157	32	137	11	75.5	42	171.2
R63-25Y2	63	25	12.7	3.8×2	37830	370.7	125350	125350	117	294	157	32	137	11	66	37	116.3
R80-16Y2	80	16	12.7	3.8×2	42300	414.5	159630	1564.4	120	215	154	32	137	9	74	39	156.9
R80-16Y3	80	16	12.7	3.8×3	59950	587.5	239440	2346.5	120	295	154	32	137	9	74	39	235.3
R80-16Z2	80	16	12.7	4.8×2	51710	506.8	201630	1976.0	120	247	154	32	137	9	74	39	198.1
R80-16Z3	80	16	12.7	4.8×3	73290	718.2	302450	2964.0	120	343	154	32	137	9	74	39	296.6
R80-20Y2	80	20	15.875	3.8×2	56700	555.7	196910	1929.7	130	259	170	32	150	11	80	45	186.3

External type Heavy Load Ballscrew (FSP)



Model No.	Shaft diameter	Lead	Ball Dia.	Turns-Circuits	Dynamic C		Static Co		D	L	F	T	E	X	H	W	Pmax kN
					kgf	kN	kgf	kN									
R80-20Y3	80	20	15.875	3.8×3	80360	787.5	295370	2894.6	130	359	170	32	150	11	80	45	279.5
R80-20Z2	80	20	15.875	4.8×2	69320	679.3	248730	2437.6	130	299	170	32	150	11	80	45	235.1
R80-25Y2	80	25	19.05	3.8×2	73750	722.8	244710	2398.2	145	320	185	40	165	11	90	54	212.0
R80-25Y3	80	25	19.05	3.8×3	104520	1024.3	367070	3597.3	145	445	185	40	165	11	90	54	318.0
R80-25Z2	80	25	19.05	4.8×2	90160	883.6	309110	3029.3	145	372	185	40	165	11	90	54	266.0
R100-20Y2	100	20	15.875	3.8×2	63210	619.5	249430	2444.4	145	255	185	32	165	11	90	49	245.1
R100-20Y3	100	20	15.875	3.8×3	89580	877.9	374140	3666.6	145	355	185	32	165	11	90	49	367.7
R100-20Z1	100	20	15.875	4.8×1	42570	417.2	157530	1543.8	145	175	185	32	165	11	90	49	154
R100-20Z2	100	20	15.875	4.8×2	77270	757.2	315070	3087.7	145	295	185	32	165	11	90	49	309.5
R100-20Z3	100	20	15.875	4.8×3	109510	1073.2	472600	4631.5	145	415	185	32	165	11	90	49	463.5
R100-25X2	100	25	19.05	2.8×2	62600	613.5	222540	2180.9	159	266	199	40	179	11	100	55	206.9
R100-25Y2	100	25	19.05	3.8×2	81410	797.8	302030	2959.9	159	320	199	40	179	11	100	59	282.4
R100-25Y3	100	25	19.05	3.8×3	115370	1130.6	453040	4439.8	159	445	199	40	179	11	100	59	422.5
R100-25Z2	100	25	19.05	4.8×2	99520	975.3	381510	3738.8	159	366	199	40	179	11	98	58	355.7
R120-25Y2	120	25	19.05	3.8×2	87740	859.9	359120	3519.4	173	316	213	40	193	11	109	56	352.9
R120-25Y3	120	25	19.05	3.8×3	124340	1218.5	538690	5279.2	173	441	213	40	193	11	109	59	529.4
R120-25Z2	120	25	19.05	4.8×2	107260	1051.1	453630	4445.6	173	366	213	40	193	11	110	62	445.7
R125-20Y2	125	20	15.875	3.8×2	69870	684.7	315040	3087.4	173	267	213	40	193	11	102.5	46	317.9
R125-20Y3	125	20	15.875	3.8×3	99030	970.5	472570	4631.2	173	367	213	40	193	11	102.5	46	477.6
R125-20Z2	125	20	15.875	4.8×2	85420	837.1	397950	3899.9	173	307	213	40	193	11	102.5	46	401.9
R125-25Y2	125	25	19.05	3.8×2	89890	880.9	377880	3703.2	180	316	220	40	200	11	114	56	370
R125-25Z2	125	25	19.05	4.8×2	109890	1076.9	477320	4677.7	180	366	220	40	200	11	114	56	468.2